

# Product data sheet

## Characteristics

# MGP26800

Circuit Breaker, PowerPact M, electronic trip, unit mount, 800A, 2 pole, 18 kA, 600 VAC, lugs off end



Product availability: Stock - Normally stocked in distribution facility

Price\*: 11578.50 USD

### Main

Circuit breaker type	Standard
Module type	M-Frame
Range of product	Powerpact

### Complementary

[Ics] rated service short-circuit breaking capacity	80 %
Current sensor rating range	800 A
Depth	8.1 In (205.74 mm)
Height	12.8 In (325.12 mm)
Mounting location	Unit mount
Number of poles	2
Net Weight	24 Lb(US) (10.89 kg)
Protection type	Overload Short-circuit
Width	8.3 In (210.82 mm)

### Environment

Product certifications	IEC CSA UL Listed
------------------------	-------------------------

### Ordering and shipping details

Category	01205 - MG, MJ UNIT MOUNT BREAKER
Discount Schedule	DE2
GTIN	00785901539049
Nbr. of units in pkg.	1
Package weight(Lbs)	1 Lb(US) (0.45 kg)
Returnability	Yes
Country of origin	US

### Offer Sustainability

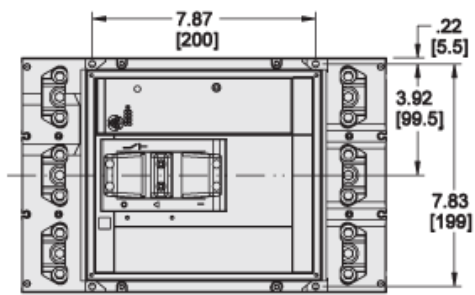
Sustainable offer status	Green Premium product
California proposition 65	WARNING: This product can expose you to chemicals including: DIN-P, which is known to the State of California to cause cancer, and DID-P, which is known to the State of California to cause birth defects or other reproductive harm. For more information go to <a href="http://www.P65Warnings.ca.gov">www.P65Warnings.ca.gov</a>
REACH Regulation	<a href="#">REACH Declaration</a>
EU RoHS Directive	Compliant <a href="#">EU RoHS Declaration</a>
Mercury free	Yes
RoHS exemption information	<a href="#">Yes</a>

China RoHS Regulation	<a href="#">China RoHS Declaration</a>
Environmental Disclosure	<a href="#">Product Environmental Profile</a>
Circularity Profile	<a href="#">End Of Life Information</a>
PVC free	Yes

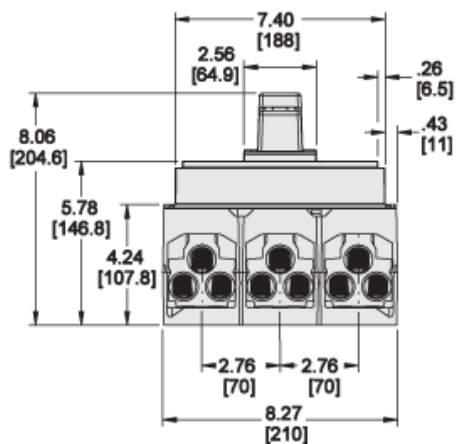
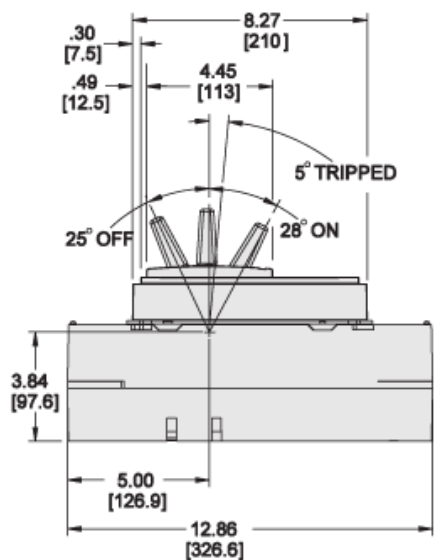
**Contractual warranty**

Warranty	18 months
----------	-----------

Approximate Dimensions



in.  
[mm]



Product Life Status : End of commerc. announced